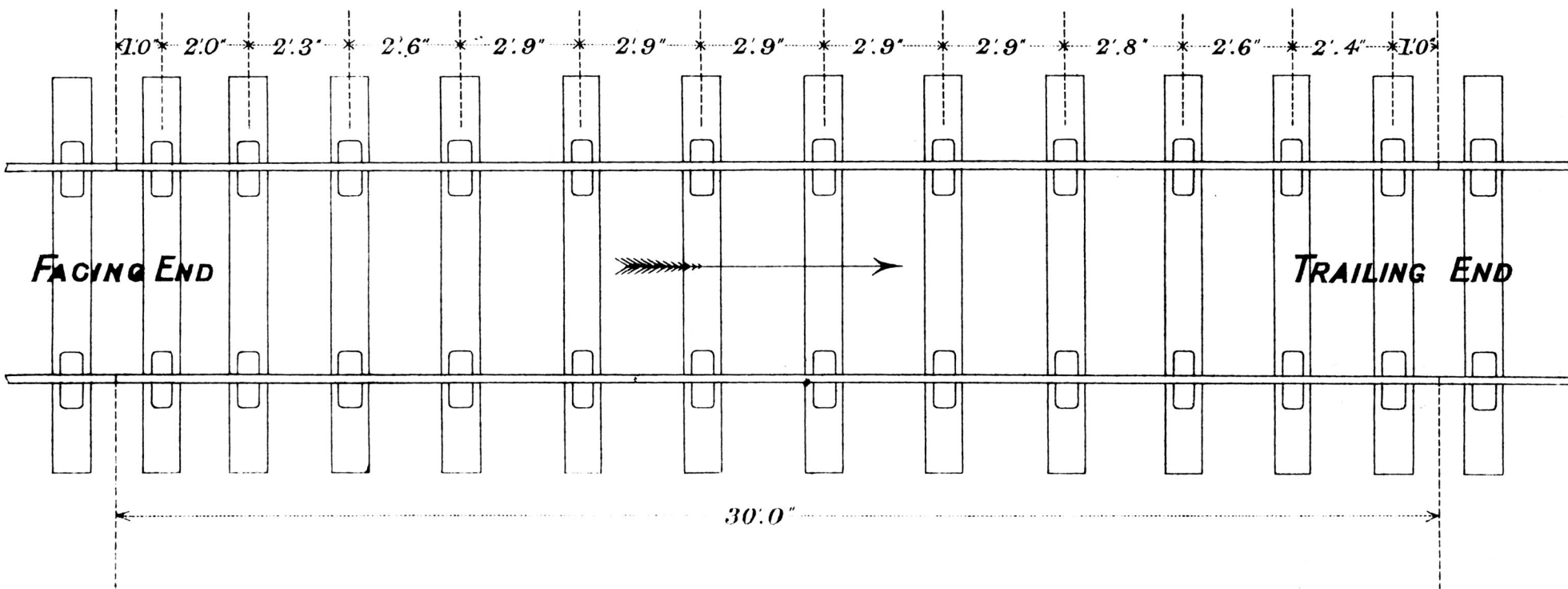


G. C. R.

PERMANENT WAY N° 3 SECTION

PLAN SHEWING POSITION OF SLEEPERS

12 SLEEPERS TO THE 30 FOOT RAIL



Scale, 4 Feet to 1 Inch

C. A. Rowlandson
engineer
December 1897

TYPE DRAWING N° 39A