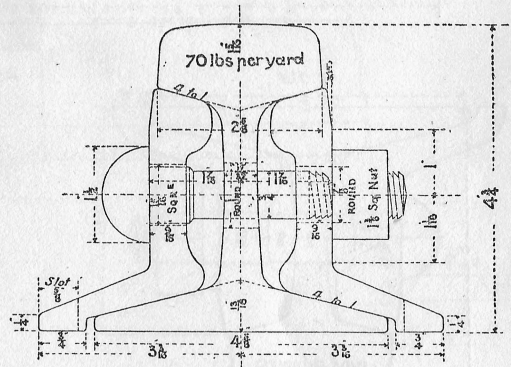
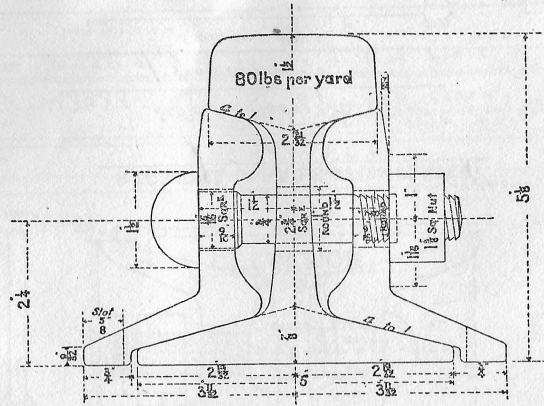
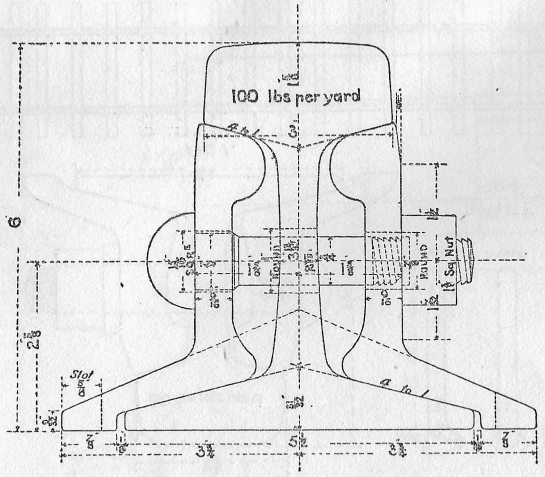


NEW YORK CENTRAL & HUDSON RIVER RAILROAD

Sheet 3.



SECTIONS OF RAILS & FISH PLATES

