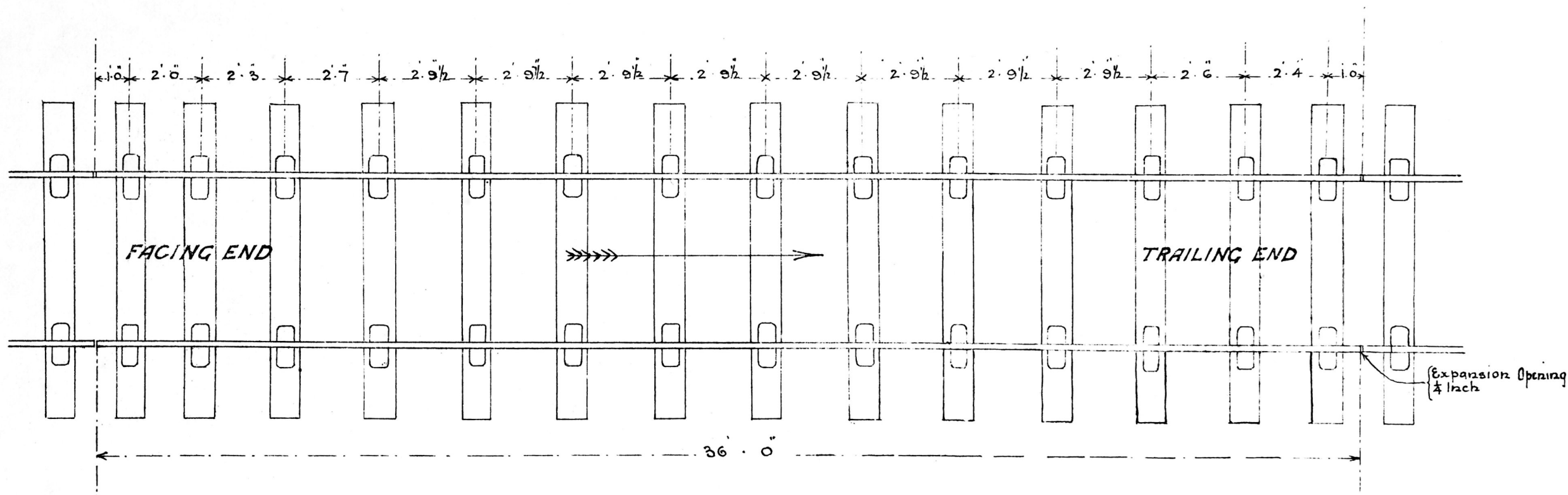


— G. C. RY —

PERMANENT WAY Nº 4 SECTION (96 lb RAIL)

PLAN SHEWING POSITION OF SLEEPERS.

14 SLEEPERS TO THE 36 FOOT RAIL.



Scale 4 Feet to an Inch

CA Rowlandson
October 1903